

Nema 11 Size - 2 Phase Hybrid Step Motor



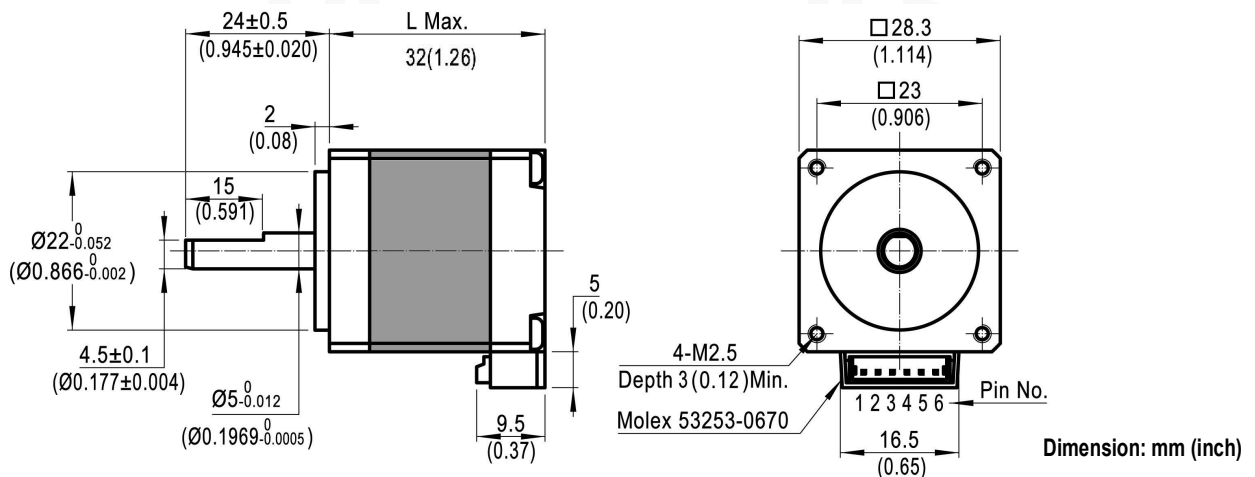
Features

- Low Vibration
- Low Noise
- Smooth Movement

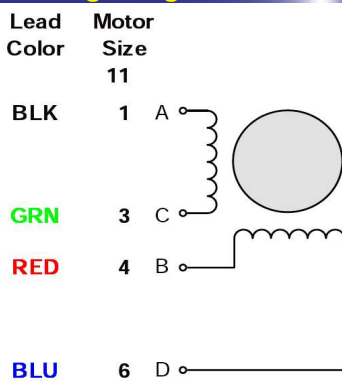
General Specifications

- Step Angle : 1.8°
- Insulation Class : B
- No of Motor Leads : 4

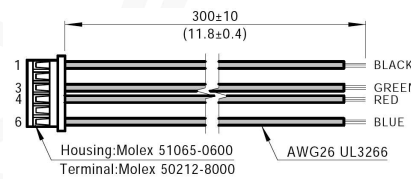
Mechanical Dimensions (mm)



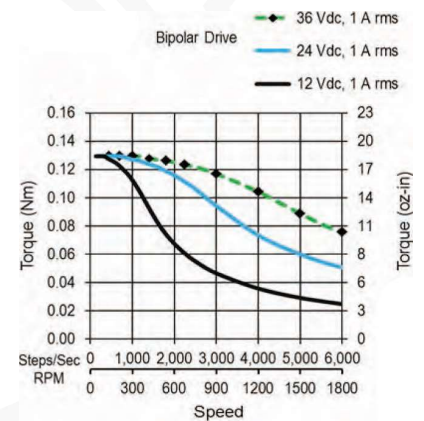
Wiring Diagram



Motor Cable



Speed/Torque Graph



Electrical Specifications

Model	Holding Torque (kgcm)	Current/Phase (A)	Resistance/Phase (Ω)	Inductance/Phase (mH)	Detent Torque (gcm)	Rotor Inertial (g-cm ²)	Weight (kg)	Length Lmax (mm)	Shaft OD (mm)	No of Motor Leads
PSM28HS2A31-2P-4100	0.9	1	2.7	2.5	50	9	0.1	31	5	4