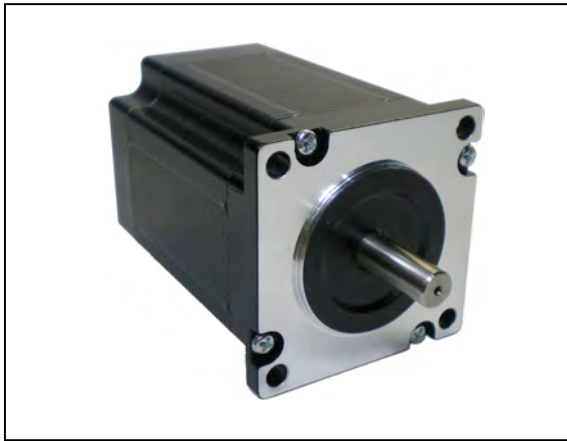


Nema 23 Size - 2 Phase Hybrid Step Motor



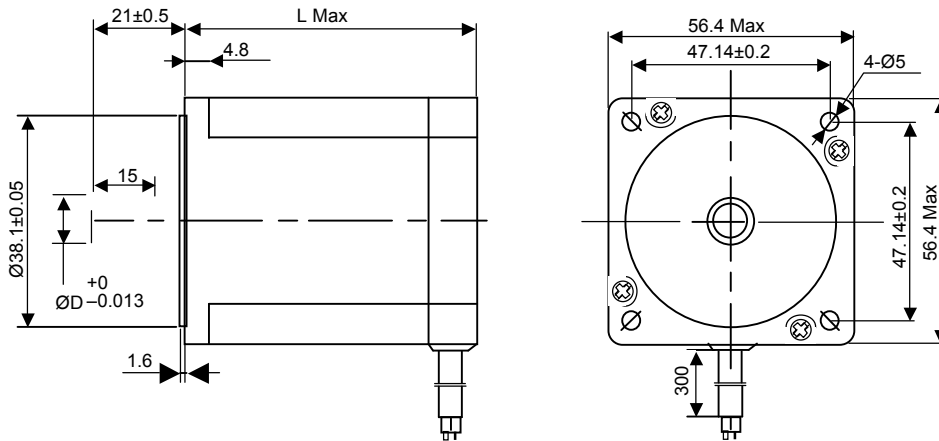
Features

- High Torque
- Low Noise
- Smooth Movement

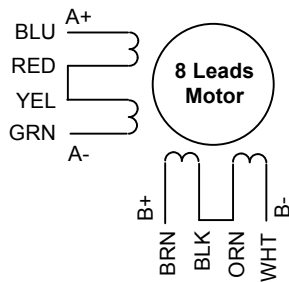
General Specifications

- Step Angle : 1.8°
- Insulation Class : B
- No of Motor Leads : 8

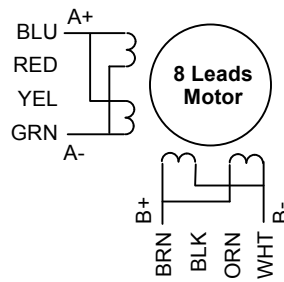
Mechanical Dimensions (mm)



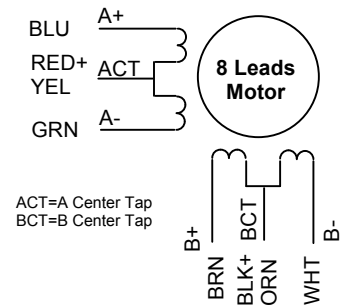
Wiring Diagram



Series Connection



Parallel Connection



Uni-Polar Connection

Electrical Specifications

Model	Holding Torque (kgcm)	Current/Phase (A)	Resistance/Phase (Ω)	Inductance/Phase (mh)	Detent Torque (gcm)	Rotor inertia (g-cm ²)	Weight (kg)	Length Lmax (mm)	Shaft ØD (mm)	Flat Cutout (mm)
PSM57HS2A54-2P	9	1.5 (S) / 3.0 (P)	0.8	1.2	400	280	0.6	54	6.35	0.8 x 15
PSM57HS2A81-2P	20.4	2.5 (S) / 5.0 (P)	0.4	1.8	700	480	1.15	81	8	0.8 x 15
PSM57HS2A106-2P	26.5	2.5 (S) / 5.0 (P)	1.2	2.4	1224	1000	1.25	106	8	0.8 x 15